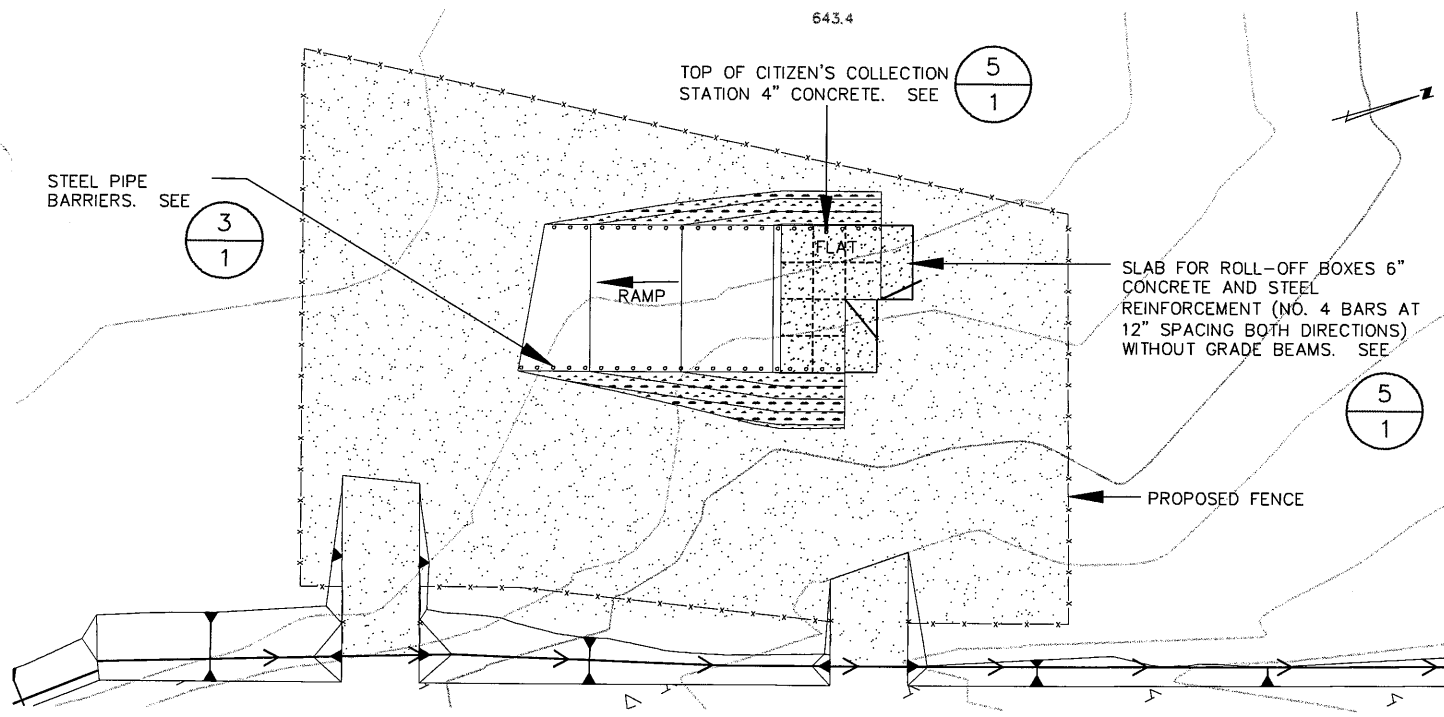


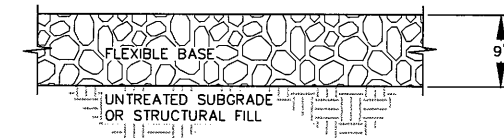
APPENDIX IIIH

CITIZEN COLLECTION STATION DRAWING



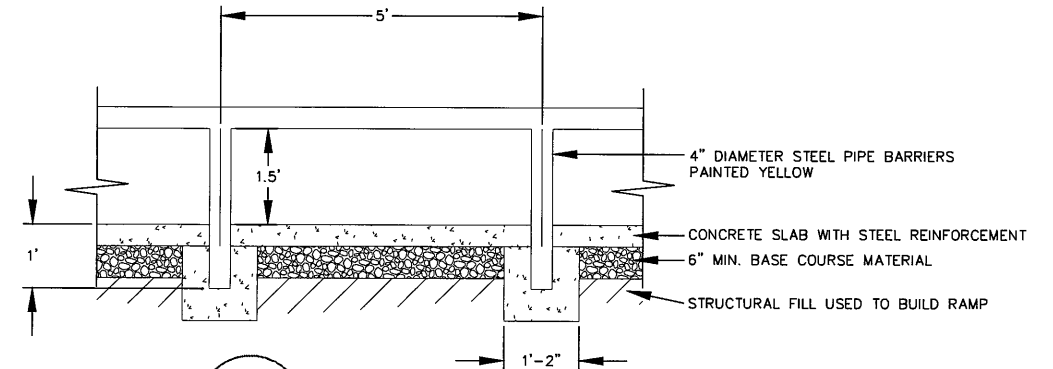
1 PLAN
1 CITIZEN COLLECTION STATION

scale 0 30 60 feet



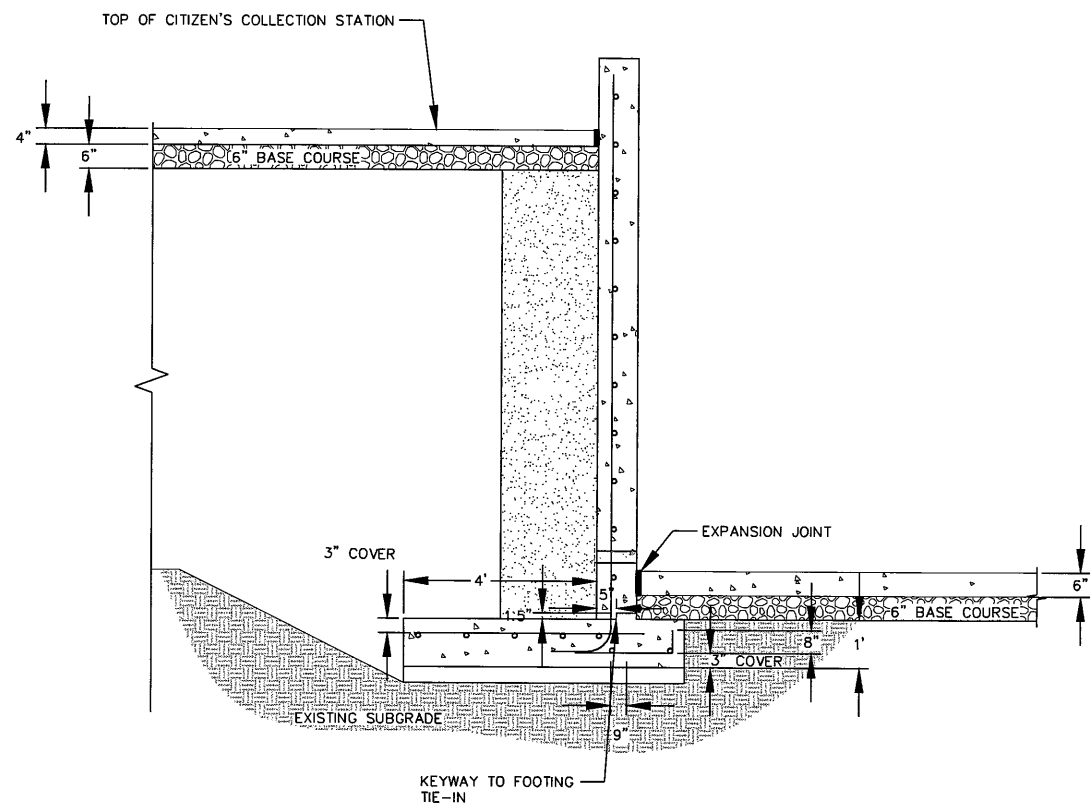
2 DETAIL
1 CITIZEN COLLECTION STATION PAVING

scale 0 1 2 feet



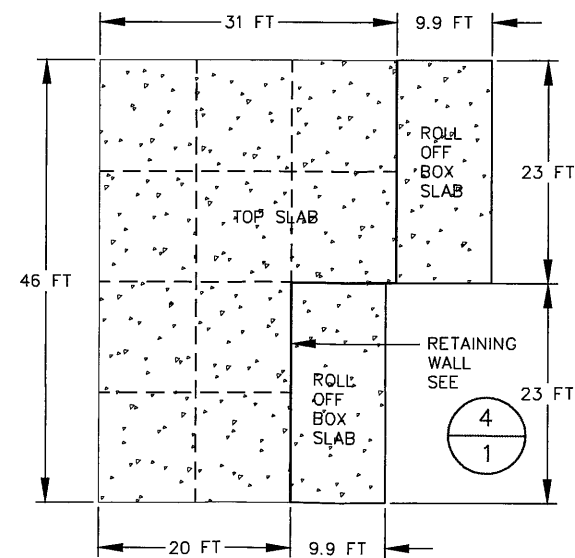
3 DETAIL
1 STEEL PIPE BARRIER

scale 0 1.5 3 feet



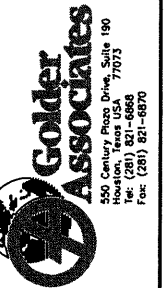
4 DETAIL
1 CONCRETE RETAINING WALL

scale 0 2 4 feet



5 DETAIL
1 TOP SLAB AND ROLL OFF BOX SLAB

scale 0 10 20 feet



TEMPLE RECYCLING AND DISPOSAL FACILITY
PERMIT NO. MSW-629A
BELL COUNTY, TEXAS

CITIZEN COLLECTION STATION PLAN
AND DETAILS

PROJECT	FILE
DRAWN	ML
CHECKED	APPROVED
DATE	FEBRUARY 2005
SCALE	AS SHOWN
JOB NO.	043-4722
DRG. NO.	4722-106 rev. 1

FIGURE NUMBER

1